



Westatlantic Water regulating Flow Control

Water character is determined by rivers, lakes, ditches and canals. Water levels should be controlled so that they are not too high or too low. extreme changes in water levels threaten people and the environment.

Water control authorities are always looking for an effective method to manage and regulate water levels for the benefit and protection of area lands.

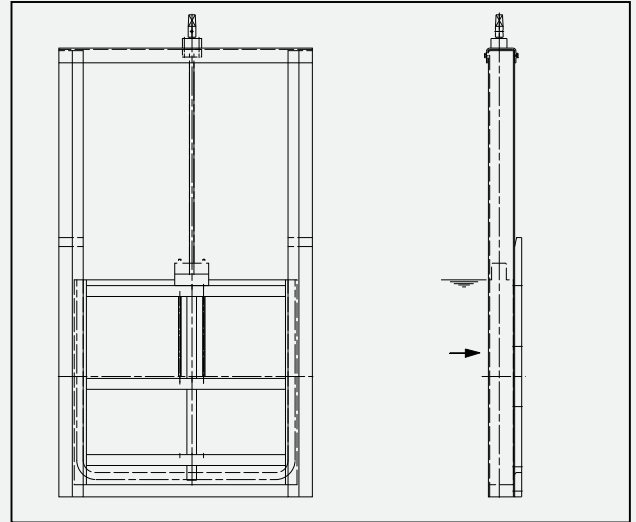
Westatlantic HDPE Sluice gate valves are a new and effective, safe and economical method of controlling water levels.

They seal a channel and only allows 1 % of the leak rate set by the AWWA.

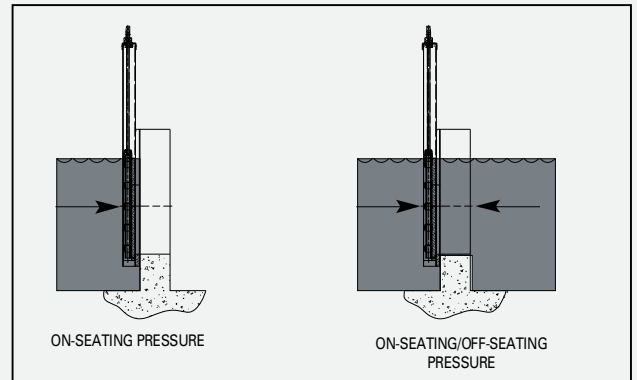
The flexibility of HDPE proved to be a major advantage in creating and providing tailor made solutions. Once put in place these products do not require any maintenance and are reliable and economical solutions.

Today we divide the regulation programme into three different sub-programmes.

- A) to block the flow to the height of the door
- B) to regulate water level upstream
- C) to regulate water level downstream



Sluice gate sealing to height of door / type WAPKS



In this kind of application the water level will not exceed the height of the door. In most cases the door height will be equal to maximum water level + 100 mm as safety.

Closing the door blocks the water in the channel. The sluice gate is operated like a penstock with a spindle opening / closing the door. Sluice gates can be operated by T keys, hand wheels, gear-boxes and can also be fully electrically actuated.