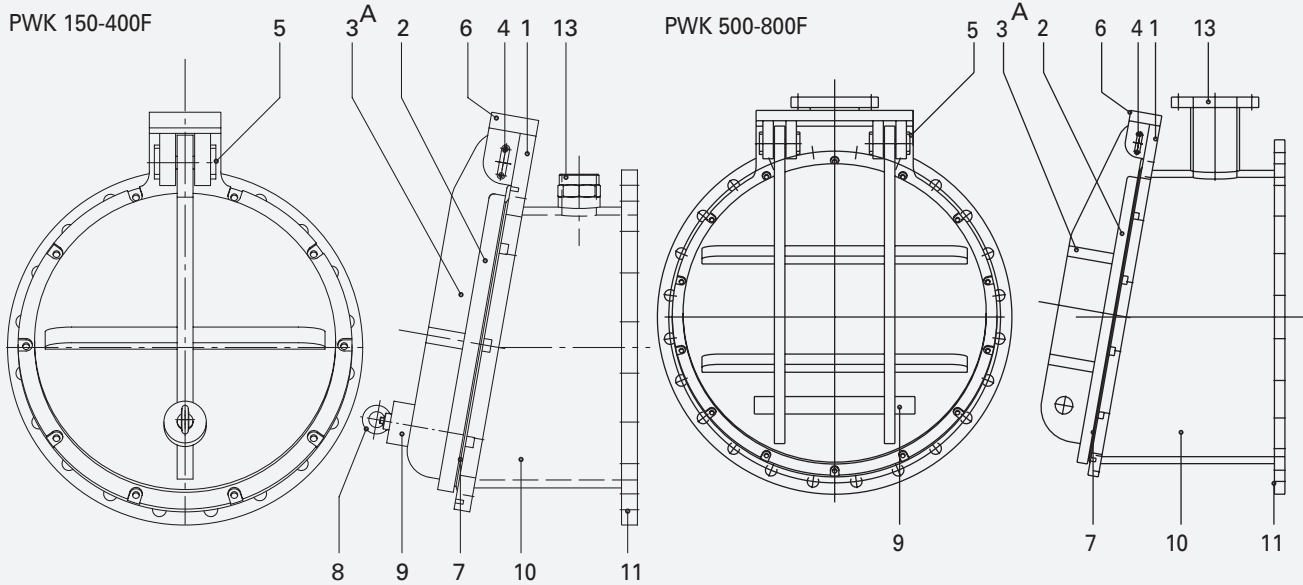




HDPE FLAP VALVE PRESSURE PIPE PUMP OUTFALL

150 - 2000 MM



PWK 150-400F

PWK 500-800F

PWK ≥ 900F

www.westatlantictech.com

www.flapvalvehdpe.com

sales@westatlantictech.com +902 455 4455

Note:

PWK 500 F has a single hinge

Note:

PWK 150 - 400 F aerator equipped with opening with gas thread connection

Note:

PWK 500 F will be executed with lifting eye and stainless steel 316 ballast equal to PWK 150 - 400 F

Part	Material	Remarks
1	frame plate	HDPE
2	valve door	HDPE
3 A	reinforcement ribs	HDPE
3 B	reinforcement profile	Stainless steel AISI 316
4	hinge	HDPE
5	hinge pin	Stainless steel AISI 316
6	hinge cover	HDPE
7	sealing	EPDM
8	lifting eye	Stainless steel A4
9	ballast	Stainless steel AISI 316
10	tube	HDPE (filled with steel)
11	flange	HDPE
12	--	--
13	aerator	HDPE