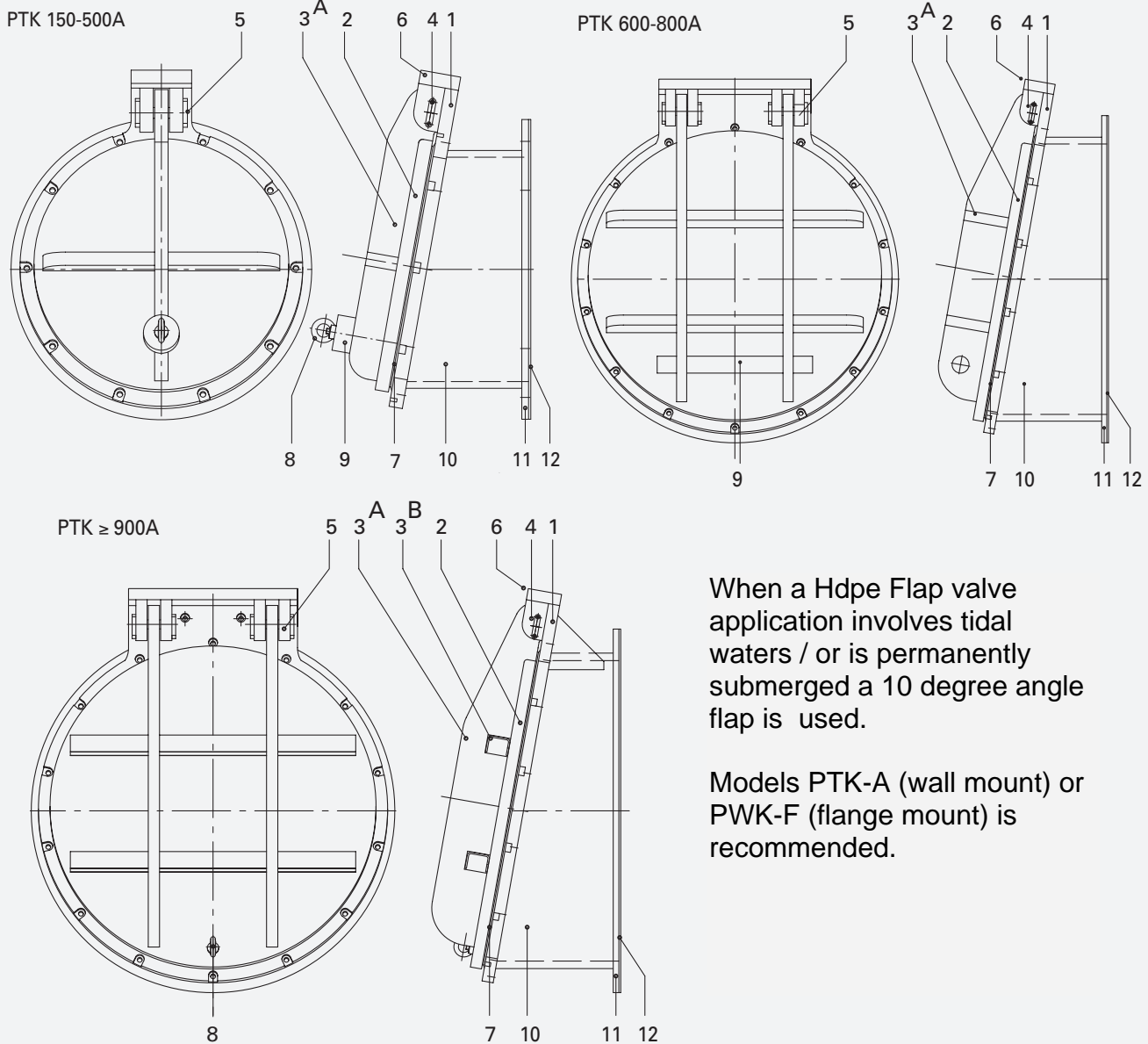


HDPE FLAP VALVES INCLINE MOUNT FOR OCEAN OFFFALLS 150 - 2000 MM



When a Hdpe Flap valve application involves tidal waters / or is permanently submerged a 10 degree angle flap is used.

Models PTK-A (wall mount) or PWK-F (flange mount) is recommended.

Part	Material	Remarks	
1	frame plate	HDPE	
2	valve door	HDPE	
3 A	reinforcement ribs	HDPE	PTK 150-2000A
3 B	reinforcement profile	Stainless steel AISI 316	PTK 900-2000A
4	hinge	HDPE	
5	hinge pin	Stainless steel AISI 316	
6	hinge cover	HDPE	
7	sealing	EPDM	
8	lifting eye	Stainless steel A4	
9	ballast	Stainless steel AISI 316	PTK 150-500A
		HDPE (filled with steel)	PTK 600-800A
10	tube	HDPE	
11	anchor plate	HDPE	
12	sealing	Neoprene	